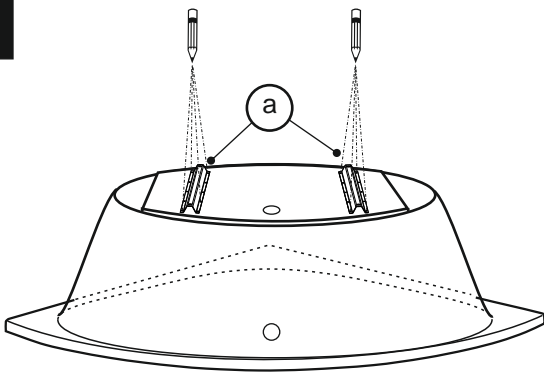
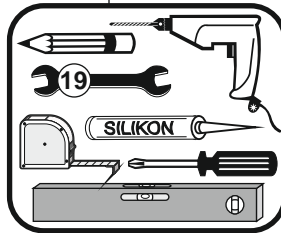
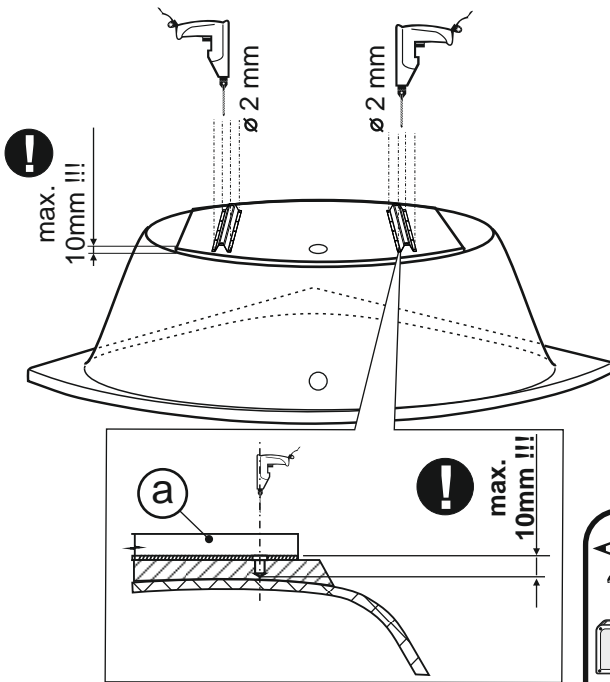


**1****2**

a	450 mm	2x
c	M12	14x
d <sub>1</sub>	M12 x 130	4x
d <sub>2</sub>	M12 x 315	1x
e <sub>1</sub>	M12 x 80	4x
e <sub>2</sub>	M12 x 65	1x
e <sub>3</sub>	M12 x 100	1x
f	12 mm	4x
g	8 mm	4x
h	4 mm	4x
i <sub>1</sub>	4,8 x 16	10x
i <sub>2</sub>	3,9 x 40 mm	4x
i <sub>3</sub>	2,9 x 19	2x

**3**